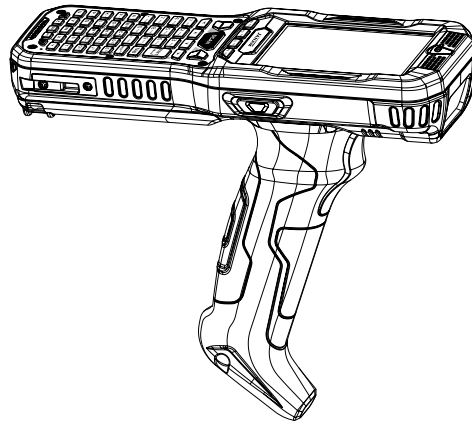

JANAM

XG3 Series™

Quick Start Guide



Technology at Work.®

XG3 Series Quick Start Guide

Copyright 2015 Janam Technologies LLC. All rights reserved.

XG3 Series, Janam and the Janam logo are trademarks of Janam Technologies LLC. Other product and brand names may be trademarks or registered trademarks of their respective owners.

Janam Technologies LLC assumes no responsibility for any damage or loss resulting from the use of this guide. Janam Technologies LLC assumes no responsibility for any loss or claims by third parties which may arise through the use of this product. Janam Technologies LLC assumes no responsibility for any damage or loss caused by deletion of data as a result of malfunction, dead battery or repairs. To protect against data loss, be sure to make backup copies (on other media) of all important data.

Follow all usage, charging and maintenance guidelines in the Product User Guide. If you have questions, contact Janam. For a copy of the Product User Guide, visit www.janam.com.

Important: Please read the End User License Agreement for this product before using the device or the accompanying software program(s). Using the device or any part of the software indicates that you accept the terms of the End User License Agreement.

Content and Additional Resources

To help you get started with your XG3 Series mobile computer, this guide features:

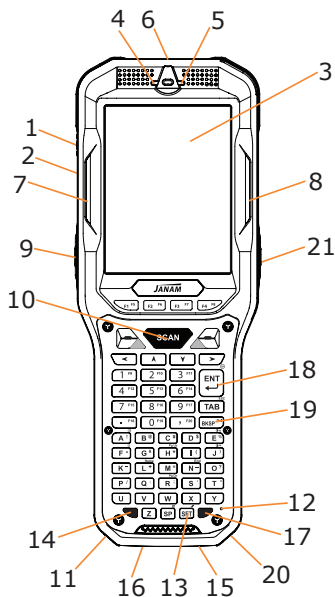
- Hardware Overview
- Getting Started
 - A. Install the Battery
 - B. Charge the Battery
 - C. Remove the Battery
 - D. Access the microSD Card Slot
- Battery Warning and Safety Guidelines

Contents of this guide are subject to change. For the most current version of this guide and additional product details, visit www.janam.com.

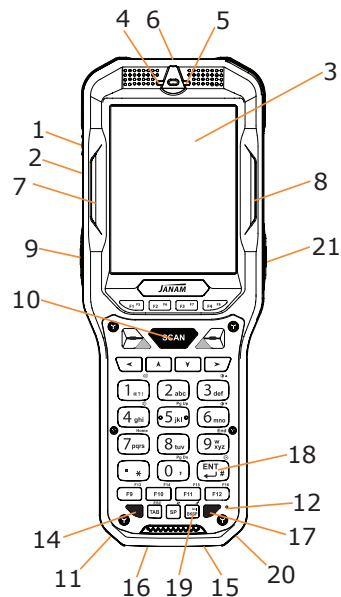
For software updates and information, visit www.microsoft.com.

Hardware Overview

1. Power Button
2. Headset with Microphone
3. LCD
4. Indicator LED
5. Notification LED
6. Scan Window
7. Left Scan LED
8. Right Scan LED
9. Left Trigger
10. Scan Trigger
11. Left Bottom Scan LED
12. Microphone
13. Shift Key
14. Yellow Function Key
15. DC Jack
16. Connector
17. Blue Function Key
18. Enter Key
19. Back Space Key
20. Right Bottom Scan LED
21. Right Trigger

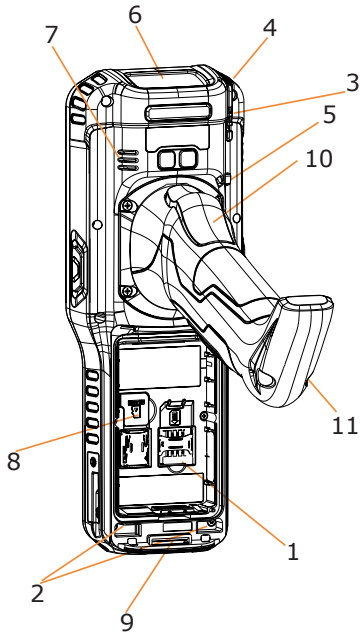


Alpha - numeric Keypad



Numeric Keypad

Hardware Overview



1. Battery
2. Battery Lock Switch
3. Stylus Slot
4. Stylus
5. Lanyard Connector
6. Scan Window
7. Speaker
8. microSD Card Cover/Slot
9. Handstrap Bar
10. Scan Trigger
11. Handstrap Hole

Getting Started

Important Note: The main (removable) battery charges the internal backup battery with or without an external power source. When discharged, the backup battery requires approx. 1.5 hours to recharge.

Caution: All user data will be lost if the main battery is removed before the internal backup battery is properly charged. It is, therefore, recommended you check that the backup battery capacity is at 100% prior to removing the main battery. To do this access the Power Application located in Start->Settings-> Power. It is also recommended that you first suspend the device prior to removing the main battery.

A. INSTALL THE BATTERY

1. Place the battery with the label side facing down.
2. Press the bottom of the battery to snap in place.
3. Insert the two points of battery stopper pertinently into the hole and press the bottom until it is closed.

B. CHARGE THE BATTERY

To charge the battery using the **DC Power Adapter Kit:**

1. Slide adapter plug onto the DC adapter housing.
2. Insert the USB into the USB port on the DC Power adapter housing.
3. Insert the DC Power plug into the DC Power jack on the XG3 Series unit.
4. Plug in the DC Adapter. Use only easily accessible wall sockets that are easily reached with the length of supplied power cable.

To charge the battery using the **Charging Cable:**

1. Connect the power supply to the cable accessory, then connect the line cord to the power supply.
2. Connect snap-on end of cable accessory to bottom of XG3 Series unit making sure the Janam logo on the connector faces front.
3. Plug in the power supply. Use only easily accessible wall sockets that are easily reached with the length of supplied power cable.

To charge the battery using a **Cradle Kit:**

1. Connect the power supply to the cradle, then connect the line cord to the power supply.
2. Plug in the power supply. Use only easily accessible wall sockets that are easily reached with the length of supplied power cable.

Getting Started (continued)

Charging the battery using a Cradle Kit continued:

3. Place the device in cradle. The LED on the device will illuminate to confirm connection.
4. The battery is fully charged in approximately 6 hours.
5. To charge a battery in the spare battery well, insert the battery into the well **top down** (connectors on the battery should face downward and to the back of the cradle) and gently press down. The LED light on the cradle will illuminate to confirm connection.

C. REMOVE THE BATTERY

1. Lift up the metal battery door lock switch until it is open.
2. Remove the battery by pulling down the hook at the bottom side of the housing and lifting up the plastic tab at the battery.
3. MicroSD card slot (as marked) is now accessible in upper part of housing.

D. ACCESS MICRO SD CARD SLOT

1. After removing the battery, lift the media card compartment cover using notch at the top (it drops down to open).
2. To access the microSD card slot, slide silver microSD card cover to the left.

Operating Temperature Range: -20°C to 50°C; -4°F to 122°F

Battery Warning

CAUTION

**IF MISUSED OR MISTREATED THE BATTERY MAY PRESENT A RISK OF FIRE OR CHEMICAL BURN.
RISK OF EXPLOSION IF BATTERY IS REPLACED BY AN INCORRECT TYPE.
DISPOSE OF USED BATTERIES ACCORDING TO THE INSTRUCTIONS.**

BATTERY SAFETY GUIDELINES

Use only Janam XG3 Series batteries and recharge batteries using only Janam approved charging accessories. Observe the following guidelines for safe use of Li-ion batteries:

1. Do not expose the battery to excessive heat or cold. Do not short-circuit. Do not incinerate.
2. To avoid risk of fire, burn or damage to your battery, do not allow a metal object to touch battery contacts.
3. Do not disassemble the battery. There are no user serviceable parts inside.
4. If battery leakage is observed, avoid any contact with affected area and properly dispose of the battery.
5. If you come in contact with battery leakage, rinse exposed area with soap and water. If it contacts the eye, flush the eye with water for 15 minutes and seek medical attention.
6. Dispose of used battery promptly. Keep away from children. Do not disassemble or dispose of in fire.
7. When discarding a battery, contact your local waste disposal provider to understand local restrictions for disposal or recycling of batteries.

BATTERY CHARGER SAFETY GUIDELINES

1. Do not use the equipment in or near areas in which sparks are likely or possible.
2. Do not let equipment's metal contacts and electrical sockets come in contact with metal objects.
3. For indoor use only. Do not expose the equipment to rain or any liquids.
4. Do not use or store the equipment in direct sunlight or in areas that are prone to get hot such as in a parked vehicle, near a heat duct or close to other heat sources.
5. Keep equipment's metal contacts and electrical sockets free from debris that could obstruct charging or could cause a short circuit.