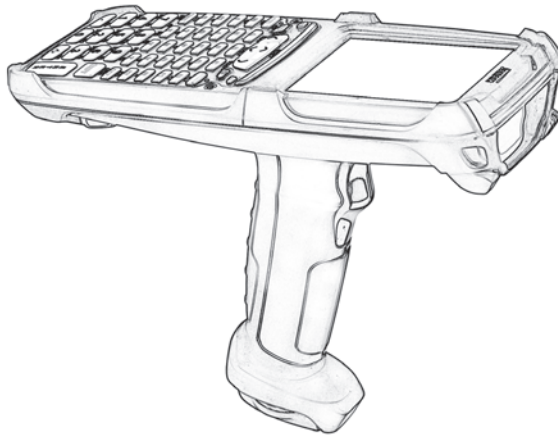


---

**JANAM**

**XG Series™**  
Quick Start Guide



*Purpose-Built Technology.®*

---

## XG Series Quick Start Guide

---

Copyright 2012 Janam Technologies LLC. All rights reserved.

XG Series, Janam and the Janam logo are trademarks of Janam Technologies LLC. Other product and brand names may be trademarks or registered trademarks of their respective owners.

Janam Technologies LLC assumes no responsibility for any damage or loss resulting from the use of this guide. Janam Technologies LLC assumes no responsibility for any loss or claims by third parties which may arise through the use of this product. Janam Technologies LLC assumes no responsibility for any damage or loss caused by deletion of data as a result of malfunction, dead battery or repairs. To protect against data loss, be sure to make backup copies (on other media) of all important data.

Follow all usage, charging and maintenance guidelines in the Product User Guide. If you have questions, contact Janam. For a copy of the Product User Guide, visit the Resource Center at [www.janam.com](http://www.janam.com)

**Important:** Please read the End User License Agreement for this product before using the device or the accompanying software program(s). Using the device or any part of the software indicates that you accept the terms of the End User License Agreement.

---

## Content and Additional Resources

---

To help you get started with your XG Series mobile computer, this guide features:

- Hardware Overview
- Getting Started
- Regulatory Information

For additional product details, visit [www.janam.com](http://www.janam.com).

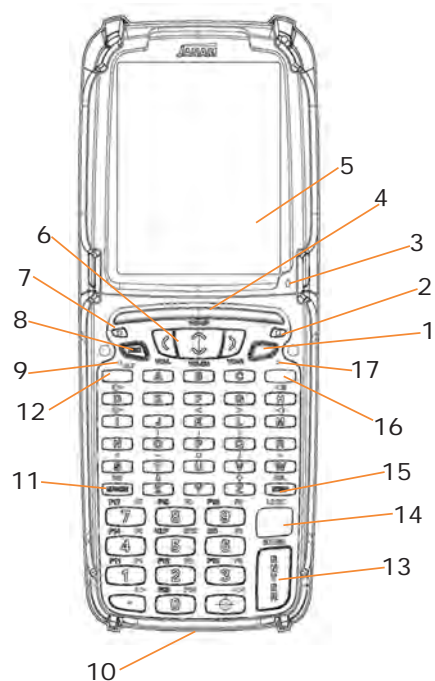
For software updates and information, visit [www.microsoft.com](http://www.microsoft.com).

---

## Hardware Overview

---

1. Power
2. Right Function Key
3. Microphone
4. Front Indicator LED Lights
5. LCD Screen
6. Navigation Keys
7. Left Function Key
8. Escape/Clear Key
9. Indicator LED Light
10. Syncing/Charging Connector
11. Space Key
12. Green Control Shift Key
13. Enter Key
14. Blue Function Shift Key
15. Backspace Key
16. Orange Function Shift Key
17. Indicator LED Light

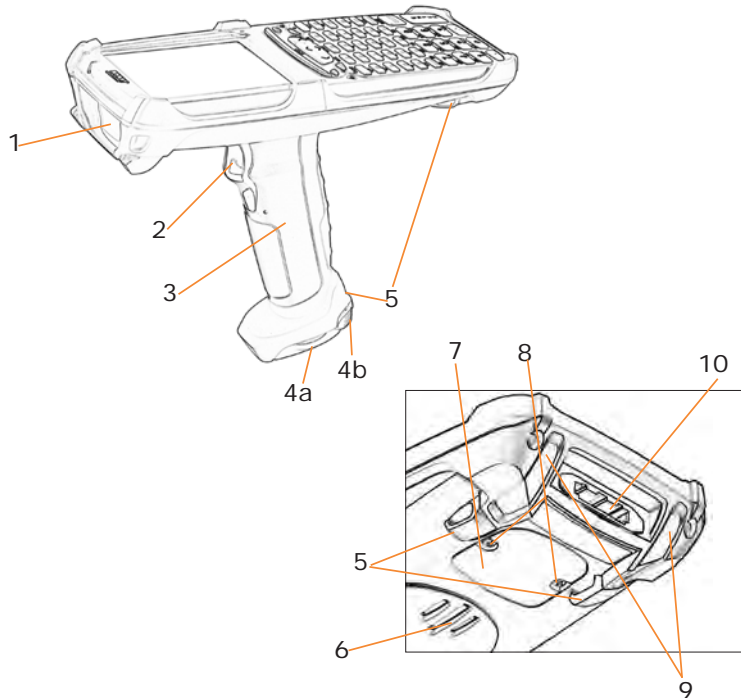


**Please Note:** There are several keypad configurations. For other keypad layouts, please visit [www.janam.com](http://www.janam.com)

---

## Hardware Overview

---



1. Scan Window
2. Scan Trigger Button
3. Handle/Battery Chamber
- 4a. Base of Battery
- 4b. Battery Release Plunger
5. Lanyard Connector
6. Speaker
7. Memory Card Door
8. Memory Card Door Screws
9. Rear Indicator Lights (Tail Lights)
10. Syncing/Charging Connector

---

## Getting Started

---

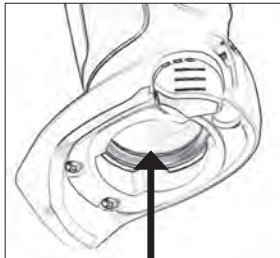
### A. INSTALLING THE BATTERY

1. Insert the top of battery into chamber opening and gently slide battery into battery chamber (Figure 1).  
Do not force past point of resistance.
2. Turn the battery so that the base of the battery is perpendicular to the device handle (Figure 2).  
This aligns the battery notches with the battery chamber which is required to insert the battery.
3. Once the battery is properly aligned with the handle, press the battery into the battery chamber.
4. Rotate the battery base clockwise until the base of the battery is parallel with the device. The battery release plunger will click and lock the battery into place (Figure 3).

### B. REMOVING THE BATTERY

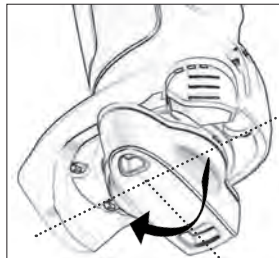
1. To remove the battery, fully press the battery release plunger and hold while rotating the battery counter-clockwise until it stops (battery base will be perpendicular to device handle).
2. Grip the battery base and pull battery from battery chamber.

Figure 1



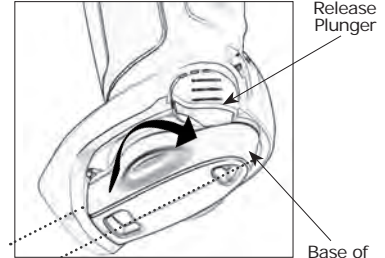
**BATTERY**

Figure 2



*Perpendicular*

Figure 3



*Parallel*

Base of Battery

Battery Release Plunger

---

## Getting Started

---

### C. CHARGING THE BATTERY

*Important Note:* The backup battery, which allows the main battery to be hot-swappable, must charge at a low current. Initial charge-time for the backup battery, therefore, is 72 hours. This initial charge-time is required prior to first use or after a full drain of the backup battery. Please see the Product User Guide for additional details.

To charge the battery using the **USB Cable** or **Serial Cable**:

1. Connect the power supply to the USB or serial cable.
2. Connect snap-on end of USB or serial cable to syncing/charging connector at the bottom of device (Hardware Overview #10) making sure the JANAM logo on the connector faces front.
3. Insert appropriate AC adapter and plug in the power supply. Use only easily accessible wall outlets that are easily reached with the length of supplied power cable.

To charge the battery using the **Single-Slot** or **Four-Slot Cradle**:

1. Connect the power supply to the cradle.
2. Connect the line cord to the power supply.
3. Insert appropriate AC adapter and plug in the power supply. Use only easily accessible wall outlets that are easily reached with the length of supplied power cable.
4. Place the device in cradle. The LED will illuminate to confirm connection (orange indicates charging, green indicates fully charged and red indicates fault).
5. The battery is fully charged in approximately 5 hours.
6. For **Single-Slot cradle only**: Charge a spare battery by placing the battery in the spare battery well with connectors lined up. An LED will illuminate to confirm connection.

---

## Getting Started

---

### D. CALIBRATING THE SCREEN

The first time the device is turned on, the Welcome Utility appears. To set up the device, follow the on-screen instructions using the stylus to tap the exact center of each target.

Note: If your XG Series device came pre-loaded with a custom software application, the Welcome Utility may not appear.

### E. LCD BACKLIGHT ADJUSTMENT

To adjust LCD backlight, tap the following sequence: *Start > Settings > Control Panel > Display > Backlight > Advanced*, then adjust on-screen slider with stylus or use the navigation arrow keys.



### Regulatory Information

Regulatory reference number: Model numbers XG100, XG105



All devices are designed to comply with local rules and regulations to the countries they are shipped. Any changes or modifications made to Janam products without Janam's approval could void the user's authority to operate the equipment. Only use Janam approved or recommended batteries and accessories. Use of alternative batteries or accessories will invalidate approval given to the device and may be dangerous.

### Laser Caution Label

The laser caution label appears on the back of the product as shown below.



### Power Supply

Use only Janam approved power supply model number EA10302.

---

## **RF Exposure Guidelines**

This device was tested for typical body-worn operations. To maintain compliance with FCC and Canada RF exposure compliance requirements, use only Janam approved hand strap and accessories for this product.

To comply with FCC RF exposure compliance requirements, the following antenna installation and device configurations must be satisfied:

- 1) Users are not permitted to make changes to or modify the system in any way, and
- 2) Connecting external antenna to the card is prohibited. This device and antenna must not be co-located or operated with any other antenna or transmitter.

## **Radio Frequency Interference Requirements**

### ***United States***

This equipment has been tested and found to comply with the limits for a Class B digital device, pursuant to Part 15 of the FCC Rules. These limits are designed to provide reasonable protection against harmful interference in a residential installation. This equipment generates, uses and can radiate radio frequency energy and, if not installed and used in accordance with the instructions, may cause harmful interference to radio communications. However, there is no guarantee that interference will not occur in a particular installation. If this equipment does cause harmful interference to radio or television reception, which can be determined by turning the equipment off and on, the user is encouraged to try to correct the interference by one or more of the following measures:

- Reorient or relocate the receiving antenna.
- Increase the separation between the equipment and receiver.
- Connect the equipment into an outlet on a circuit different from that to which the receiver is connected.

For further information contact:

Janam Technologies LLC  
100 Crossways Park West, Suite 105  
Woodbury, NY 11797 USA

Any changes or modifications made to this device that are not expressly approved by Janam may void the user's authority to operate the equipment.

---

This device complies with Part 15 of the FCC Rules. Operation is subject to the following two conditions: (1) this device may not cause harmful interference, and (2) this device must accept any interference received, including interference that may cause undesired operation.

### **Canada**

#### **Note à l'attention des utilisateurs canadiens/notice to users in Canada**

**For Indoor Use.** This digital apparatus does not exceed the Class B limits for radio noise emissions from the digital apparatus set out in the Radio Interference Regulations of the Canadian Department of Communications. The internal wireless radio complies with RSS 210 and RSS GEN of Industry Canada.

**For Indoor Use.** Le présent appareil numérique n'émet pas de bruit radioélectrique dépassant les limites applicables aux appareils numériques de la classe B prescrites dans les Règlements sur le brouillage radioélectrique édicté par le Ministère des Communications du Canada. Le composant RF interne est conforme à la norme RSS-210 and RSS GEN d'Industrie Canada.

Operation is subject to the following two conditions: (1) this device may not cause interference, and (2) this device must accept any interference, including interference that may cause undesired operation of the device.

L'utilisation de ce dispositif est autorisée seulement aux deux conditions suivantes: (1) il ne doit pas produire de brouillage, et (2) l'utilisateur du dispositif doit être prêt à accepter tout brouillage radioélectrique reçu, même si ce brouillage est susceptible de compromettre le fonctionnement du dispositif.

#### **European Regulatory Notice**

This is a Class B product. In a domestic environment, this product may cause radio interference in which case the user is encouraged to take appropriate corrective action to stop the interference.

Products bearing the CE marking comply with the following EU Directives:

- Low Voltage Directive 2006/95/EC
- EMC Directive 2004/108/EC

CE compliance of this product is valid only if powered with the correct CE-marked AC adapter.

If this product has telecommunications functionality, it also complies with the essential requirements of the following EU Directive:

- R&TTE Directive 1999/5/EC

---

Compliance with these directives implies conformity to harmonized European standards (European Norms) that are listed in the EU Declaration of Conformity for this product or product family. This compliance is indicated by the following conformity marking placed on the product.



The wireless telecommunications functionality of this product may be used in the following EU and EFTA countries:

Austria, Belgium, Cyprus, Czech Republic, Denmark, Estonia, Finland, France, Germany, Greece, Hungary, Iceland, Ireland, Italy, Latvia, Liechtenstein, Lithuania, Luxembourg, Malta, Netherlands, Norway, Poland, Portugal, Slovak Republic, Slovenia, Spain, Sweden, Switzerland, and United Kingdom.

**Notice for Italy for Use of 2.4 GHz Wireless Communication**

License required for use. Verify with your dealer or directly with the General Direction for Frequency Planning and Management (Direzione Generale Pianificazione e Gestione Frequenze).

E' necessaria una concessione ministeriale anche per l'uso del prodotto. Verifici per favore con il proprio distributore o direttamente presso la Direzione Generale Pianificazione e Gestione Frequenze.

**Notice for France for Use of 2.4 GHz Wireless Communication**

For 2.4 GHz Wireless LAN operation of this product certain restrictions apply: This product may be used indoors for the entire 2400-2483.5 MHz frequency band (channels 1-13). For outdoor use, only 2400-2454 MHz frequency band (channels 1-9) may be used up to 100mW, and from 2454 to 2483.5 MHz band (channels 10-14), power is allowed up to 10mW only. For the latest requirements, see <http://www.art-telecom.fr>.

---

## Battery Safety Information

Use only Janam-approved battery BAT-G1-001 and recharge batteries using only Janam-approved chargers. Observe the following guidelines for safe use of Li-Ion batteries.

1. Do not expose the battery to excessive heat or cold. Do not short-circuit. It may explode.
2. To avoid risk of fire, burn or damage to your battery, do not allow a metal object to touch battery contacts.
3. Do not disassemble the battery. There are no user serviceable parts inside.
4. If battery leakage is observed, avoid any contact with affected area and properly dispose of the battery.
5. If you come in contact with battery leakage, rinse exposed area with soap and water. If it contacts the eye, flush the eye with water for 15 minutes and seek medical attention.
6. When discarding a battery, contact your local waste disposal provider to understand local restrictions for disposal or recycling of batteries.

## Waste Electrical and Electronic Equipment Information

This product has required the extraction and use of natural resources for its production. It may contain hazardous substances that could impact health and the environment if not properly disposed of.

In order to avoid the dissemination of those substances into our environment and to support protection of our natural resources, we encourage you to use the appropriate take-back systems for product disposal. Those systems will reuse, recycle or dispose of the materials appropriately.



The crossed out wheeled bin symbol informs you that the product should not be disposed of along with municipal waste and invites you to use the appropriate separate take-back systems for product disposal.

If you need more information on the collection, reuse and recycling systems, please contact your local region waste administration. You may also contact your supplier for more information on the environmental performances of this product.

---

[www.janam.com](http://www.janam.com)  
*Technology at Work.*<sup>®</sup>